

【产品介绍】

- 具有良好的宽频带干扰抑制性能;
With a high insertion loss from KHZ up to GHZ region.
- C系列滤波器从14KHz起损耗大于100dB, CL系列为超低漏电流规格;
Insertion lose is more than 100dB from 14KHz up to 40GHz for C series, and CL series filter have a very low leakage current.
- C/CL系列滤波器主要用于电源净化, 屏蔽室, 暗室, 核磁共振机房, 电子方舱, EMP抑制等;
C/CL series filter are used for purified power, shielded rooms, screened rooms, MRI screened facilities, electronic square cabin, EMP protect and so on.



Specification

(规格表)

滤波器型号	端接方式	额定电流 (安培)	电压(V) 工作频率	高压测试	工作温度	漏电流 @250V/50Hz	压降	功率损耗 (W)	典型衰减值	尺寸图
PART No	Connection IN OUT	Rated current (Amps)	Rated voltage Frequency(Hz)	Hipot test voltage	Temperature Range	Max Leakage current per line	Voltage drop(V)	Power loss @Full load	Typical Insertion loss	Pic
TY630W-2C-16	1 1	2 × 16	250VAC			< 2.3A	< 1%	40W	≥ 100dB(14k-40GHz)	Fig 1
TY630W-2C-32	1 1	2 × 32	50/60Hz			< 2.3A	< 1%	50W	≥ 100dB(14k-40GHz)	Fig 1
TY630W-2C-63	1 1	2 × 63	250VAC 50/60Hz			< 6.0A	< 1%	70W	≥ 100dB(14k-40GHz)	Fig 2
TY630W-2C-100	1 1	2 × 100		< 6.0A	< 1%	80W	≥ 100dB(14k-40GHz)	Fig 3		
TY630W-2C-200	1 1	2 × 200		< 6.0A	< 1%	100W	≥ 100dB(14k-40GHz)	Fig 7		
TY630W-2CL-16	1 1	2 × 16		250VAC			< 0.5A	< 1%	30W	≥ 100dB(14k-40GHz)
TY630W-2CL-32	1 1	2 × 32	50/60Hz			< 0.5A	< 1%	35W	≥ 100dB(14k-40GHz)	Fig 1
TY630W-2CL-63	1 1	2 × 63	250VAC 50/60Hz	线-线(L-L): 1450VDC/2S 线-地(L-G): 1450VDC/2S	-40~+85℃	< 0.5A	< 1%	70W	≥ 100dB(14k-40GHz)	Fig 2
TY630W-2CL-100	1 1	2 × 100				< 0.5A	< 1%	80W	≥ 100dB(14k-40GHz)	Fig 3
TY630W-2CL-200	1 1	2 × 200				< 0.5A	< 1%	90W	≥ 100dB(14k-40GHz)	Fig 7
TY630W-4C-16	1 1	4 × 16				250/440VAC			< 2.3A	< 1%
TY630W-4C-32	1 1	4 × 32	50/60Hz			< 2.3A	< 1%	100W	≥ 100dB(14k-40GHz)	Fig 4
TY630W-4C-63	1 1	4 × 63	250/440VAC 50/60Hz			< 6.0A	< 1%	140W	≥ 100dB(14k-40GHz)	Fig 5
TY630W-4C-100	1 1	4 × 100		< 6.0A	< 1%	160W	≥ 100dB(14k-40GHz)	Fig 6		
TY630W-4C-200	1 1	4 × 200		< 6.0A	< 1%	200W	≥ 100dB(14k-40GHz)	Fig 8		
TY630W-4CL-16	1 1	4 × 16		250/440VAC			< 0.5A	< 1%	65W	≥ 100dB(14k-40GHz)
TY630W-4CL-32	1 1	4 × 32	50/60Hz			< 0.5A	< 1%	80W	≥ 100dB(14k-40GHz)	Fig 4
TY630W-4CL-63	1 1	4 × 63	250/440VAC 50/60Hz			< 0.5A	< 1%	120W	≥ 100dB(14k-40GHz)	Fig 5
TY630W-4CL-100	1 1	4 × 100		< 0.5A	< 1%	160W	≥ 100dB(14k-40GHz)	Fig 6		
TY630W-4CL-200	1 1	4 × 200		< 0.5A	< 1%	180W	≥ 100dB(14k-40GHz)	Fig 8		

备注:

- (1) EMP测试: 按照MIL188-125-1/2进行(7.5KV), 衰减值大于30dB(C系列), 大于26dB(CL系列), 可以充分满足EMP抑制的要求。
- (2) 插入损耗测试: 本系列产品经由武汉701所检测并出具第三方报告, 性能达到国内领先, 国际一流水平, 欢迎索取权威检测报告。

Mechanical Specs

(安装尺寸图)

单位(Unit): mm

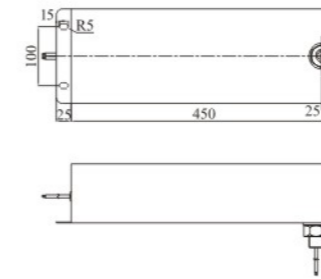


Fig1

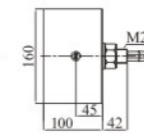


Fig2

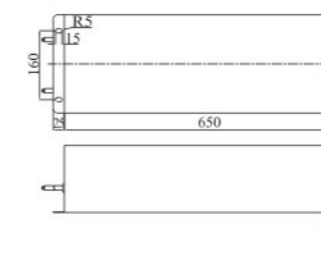


Fig3

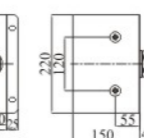


Fig4

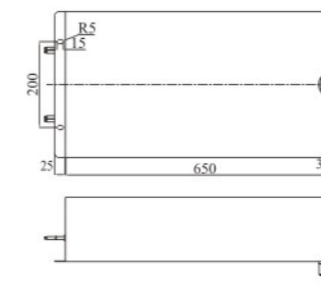


Fig5

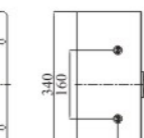


Fig6

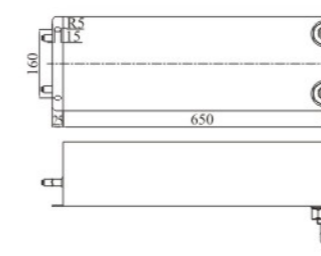


Fig7

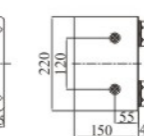


Fig8

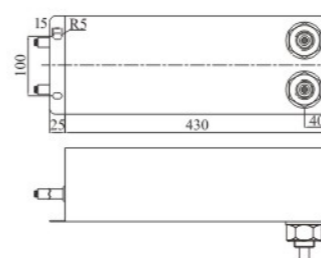


Fig11

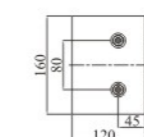


Fig12

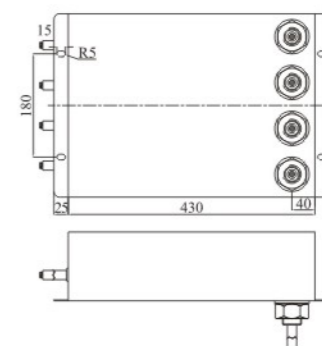


Fig12